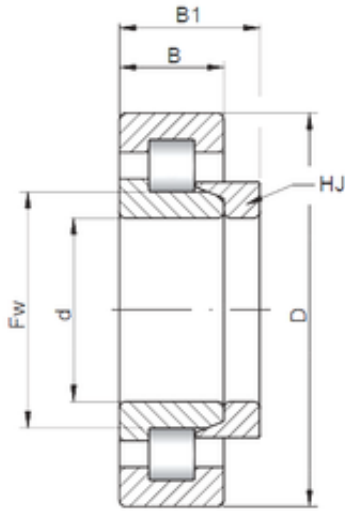




TZR Bearing Machine Development Co.,...



ISO NH2236 cylindrical roller bearings

Bearing No. NH2236

Size	180x320x86 mm
Bore Diameter	180 mm
Outer Diameter	320 mm
Width	86 mm
d	180 mm
D	320 mm
B	86 mm
C	86 mm
B1	12 mm
B2	24 mm

NH2236 Bearing 2D drawings and 3D CAD models