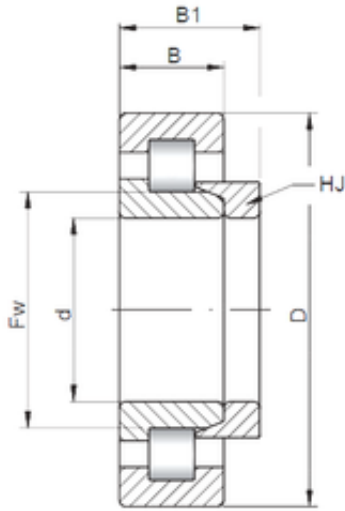




TZR Bearing Machine Development Co.,...



ISO NH2252 cylindrical roller bearings

Bearing No. NH2252

Size	260x480x130 mm
Bore Diameter	260 mm
Outer Diameter	480 mm
Width	130 mm
d	260 mm
D	480 mm
B	130 mm
C	130 mm
B1	16 mm
B2	38,5 mm

NH2252 Bearing 2D drawings and 3D CAD models