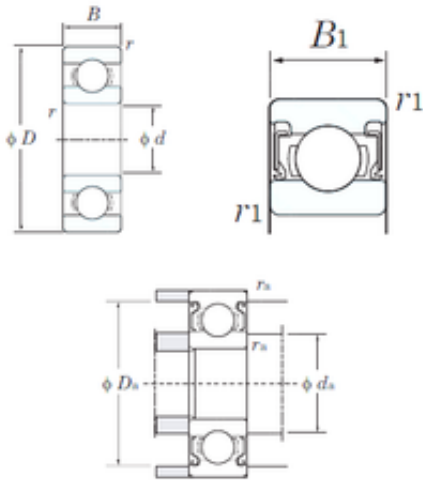




TZR Bearing Machine Development Co.,...



KOYO 697-2RS deep groove ball bearings

Bearing No. 697-2RS

Size	7x17x5 mm
Bore Diameter	7 mm
Outer Diameter	17 mm
Width	5 mm
d	7 mm
D	17 mm
B	5 mm
C	5 mm
r min.	0,3 mm
r1 min.	0,3 mm
da min.	9 mm
Da max.	15 mm
ra max.	0,3 mm
Weight	0,0053 Kg
Basic dynamic load rating (C)	1,6 kN
Basic static load rating (C0)	0,71 kN
(Grease) Lubrication Speed	28000 r/min

697-2RS Bearing 2D drawings and 3D CAD models