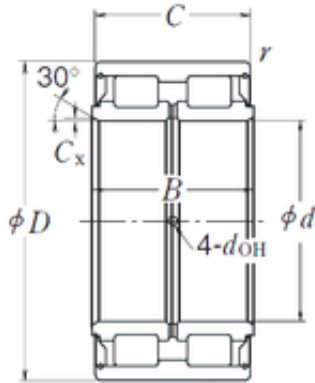




NSK RS-5064 cylindrical roller bearings



Bearing No. RS-5064

Size	320x480x218 mm
Bore Diameter	320 mm
Outer Diameter	480 mm
Width	218 mm
d	320 mm
D	480 mm
B	218 mm
C	216 mm
r min.	1,5 mm
C2	2 mm
Weight	135 Kg
Basic dynamic load rating (C)	2720 kN
Basic static load rating (C0)	6100 kN
hidYobi	RS-5064
LangID	1
D_	480
B_	218
hidTable	ecat_NSCLDRSG
Cx	2
mass	135
GRS rpm	300
da_min	330
C0	6100
DE_	437.5
Prod_Type3	CRB_FRFS_PT_WOLR
DA_	40

RS-5064 Bearing 2D drawings and 3D CAD models



TZR? Bearing Machine Development Co.,...

Z_	31
r_min	1.5
yobi	RS-5064
SDM_	397.5
r	216
KBRG	4220
DI_	357.5
doh	8