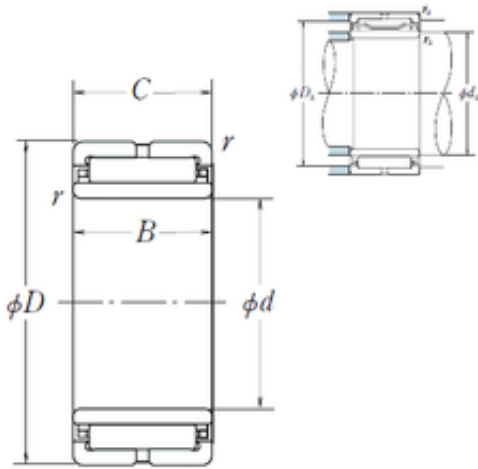




**NSK NA5910 needle roller bearings**



Bearing No. NA5910

Size	50x72x30 mm
Bore Diameter	50 mm
Outer Diameter	72 mm
Width	30 mm
d	50 mm
Fw	58 mm
D	72 mm
B	30 mm
C	30 mm
r min.	0,6 mm
da min.	54 mm
Da max.	68 mm
ra max.	0,6 mm
Weight	0,405 Kg
Basic dynamic load rating (C)	59,5 kN
Basic static load rating (C0)	113 kN
(Grease) Lubrication Speed	4500 r/min
hidYobi	NA5910
LangID	1
D_	72
B_	30
hidTable	ecat_NS MRNR
GRS rpm	4500
ra	0.6
da_min	54
d2	50

NA5910 Bearing 2D drawings and 3D CAD models



## TZR? Bearing Machine Development Co.,...

C0	113
C1_	30
DE_	67
SLR	23.8
Prod_Type3	NRB_S_NA
DA_	4.5
Z_	27
SI	58
yobi	NA5910
da_max	68
OIL rpm	7100
SDM_	62.5
r	0.6
KBRG	8352
mass2	0.405
B1	30