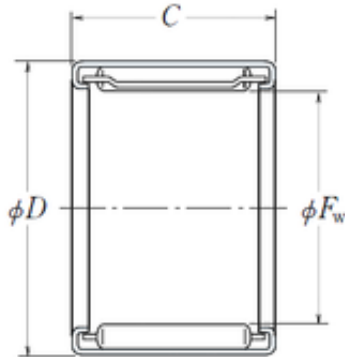




NSK FJ-2516 needle roller bearings



Bearing No. FJ-2516

FJ-2516 Bearing 2D drawings and 3D CAD models

Size	25x32x16 mm
Bore Diameter	25 mm
Outer Diameter	32 mm
Width	16 mm
Fw	25 mm
D	32 mm
C	16 mm
Weight	0,024 Kg
Basic dynamic load rating (C)	15200 kN
(Grease) Lubrication Speed	8000 r/min
NB-DI	0
NA-DEX	30.439
hidYobi	FJ-2516
LangID	1
D_	32
NC-SLR	10.99
B_	16.5
n_yobi	FIR-202516
hidTable	ecat_NSDCNR
mass_k	24
d1	20
GRS rpm	8000
ra	0.3
NC-SLR1	0
C0	21.502
C1	16



TZR? Bearing Machine Development Co.,...

Prod_Type3	NRB_DC_FJ- MFJ_WC_OT
da	22
d	20
NC-RAC	0
Pmax	9350
N-SDM	0
yobi	FJ-2516
C1_C2	1
ND-Z	20
OIL rpm	13000
NC-DA	2.713
N-KBRG	8201
NC-KMS	20
B1	16.5