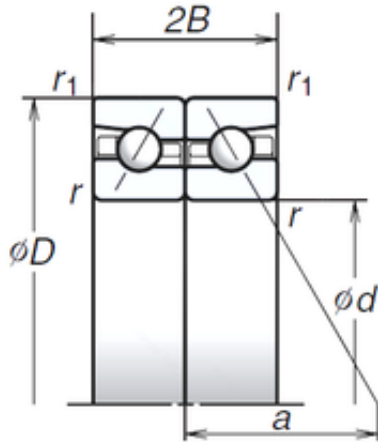




TZR Bearing Machine Development Co.,...

NSK 170BTR10S angular contact ball bearings



Bearing No. 170BTR10S

Size	170x260x40.5 mm
Bore Diameter	170 mm
Outer Diameter	260 mm
Width	40,5 mm
d	170 mm
D	260 mm
B	40,5 mm
C	40,5 mm
Angle (°)	40 °
a	110,5 mm
r min.	2,1 mm
r1 min.	1,1 mm
2B	81 mm
Weight	7,9 Kg
Basic dynamic load rating (C)	136 kN
Basic static load rating (C0)	335 kN
(Grease) Lubrication Speed	3 100 r/min
(Oil) Lubrication Speed	4 000 r/min

170BTR10S Bearing 2D drawings and 3D CAD models