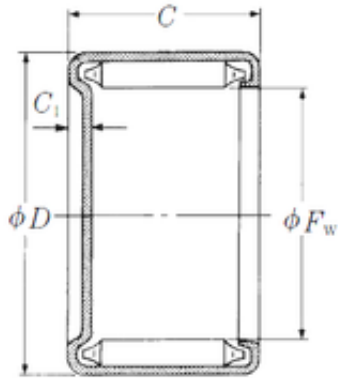




TZR Bearing Machine Development Co.,...

NSK MH-681 needle roller bearings



Bearing No. MH-681

Size	9.525x15.875x12.7 mm
Bore Diameter	9,525 mm
Outer Diameter	15,875 mm
Width	12,7 mm
Fw	9,525 mm
D	15,875 mm
C	12,7 mm
C2	2,3 mm
Weight	0,0095 Kg
Basic dynamic load rating (C)	8,95 kN

MH-681 Bearing 2D drawings and 3D CAD models