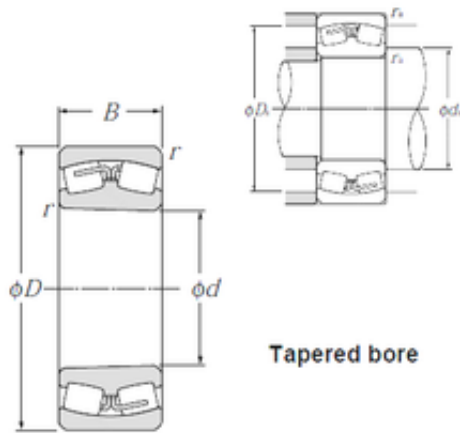




NTN 230/950BK spherical roller bearings



Bearing No. 230/950BK

230/950BK Bearing 2D drawings and 3D CAD models

Size	950x1360x300 mm
Bore Diameter	950 mm
Outer Diameter	1360 mm
Width	300 mm
d	950 mm
D	1 360 mm
B	300 mm
C	300 mm
r min.	7,5 mm
da min.	986 mm
Da max.	1 324 mm
ra max.	6 mm
Weight	1 380 Kg
Basic dynamic load rating (C)	11 500 kN
Basic static load rating (C0)	28 400 kN
(Grease) Lubrication Speed	180 r/min
(Oil) Lubrication Speed	230 r/min
Calculation factor (e)	0,21
Calculation factor (Y0)	3,18
Calculation factor (Y1)	3,26