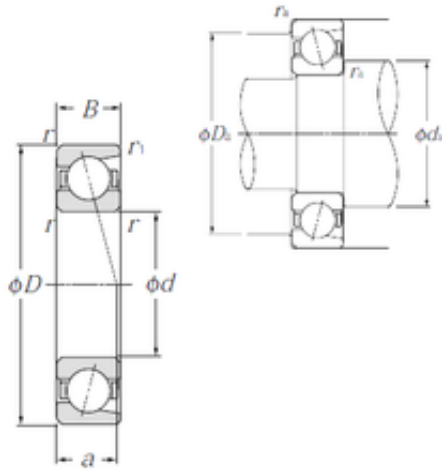




NTN 7960 angular contact ball bearings



Bearing No. 7960

Size	300x420x56 mm
Bore Diameter	300 mm
Outer Diameter	420 mm
Width	56 mm
d	300 mm
D	420 mm
B	56 mm
C	56 mm
Angle (°)	25 °
a	132 mm
r min.	3 mm
r1 min.	1,1 mm
da min.	314 mm
ra max.	2,5 mm
Weight	23,7 Kg
Basic dynamic load rating (C)	325 kN
Basic static load rating (C0)	520 kN
(Grease) Lubrication Speed	1 400 r/min

7960 Bearing 2D drawings and 3D CAD models