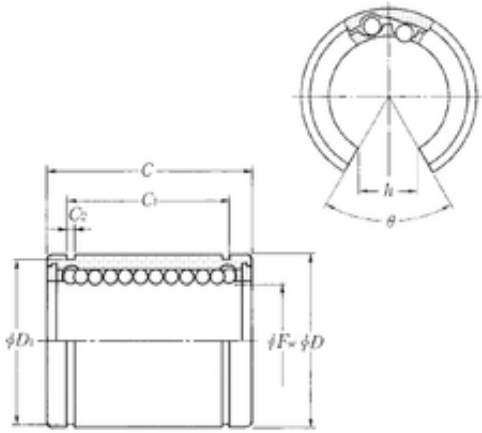




NTN KLM20P linear bearings

Bearing No. KLM20P



KLM20P Bearing 2D drawings and 3D CAD models

Size	20x32x42 mm
Bore Diameter	20 mm
Outer Diameter	32 mm
Width	42 mm
Fw	20 mm
D	32 mm
C	42 mm
h	8,6 mm
C1	30,3 mm
D1	30,5 mm
	50 mm
C2	1,6 mm
Weight	0,085 Kg
Basic dynamic load rating (C)	1 190 kN